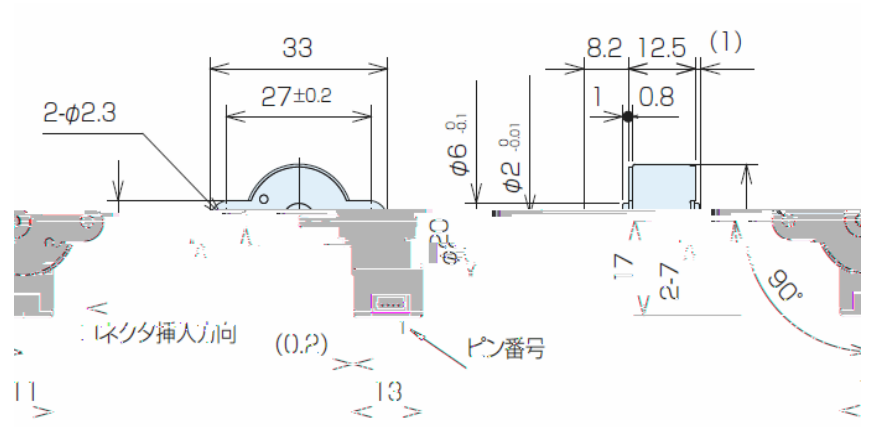


PFC20T

A



B

	°	
	%	
	∅	
	kg*m ²	

C

